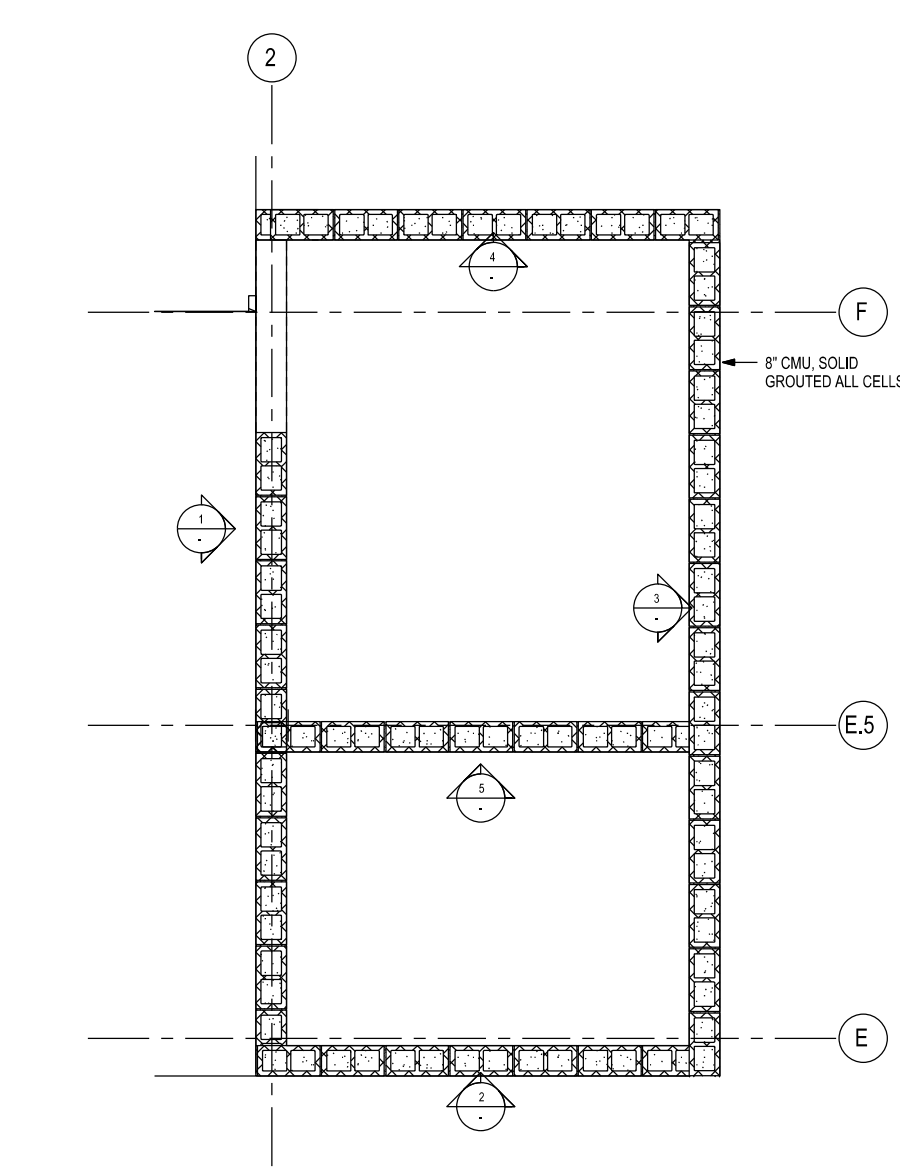
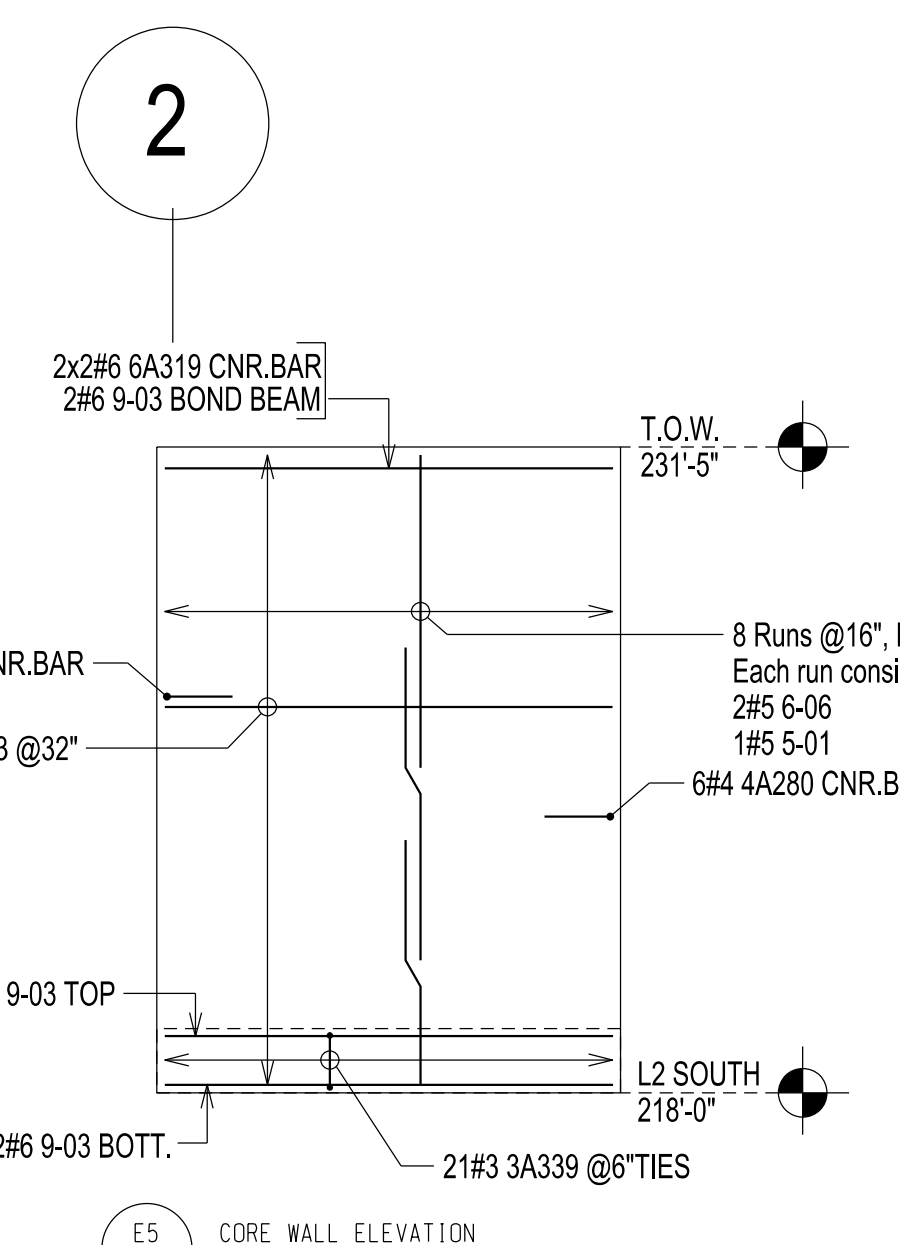


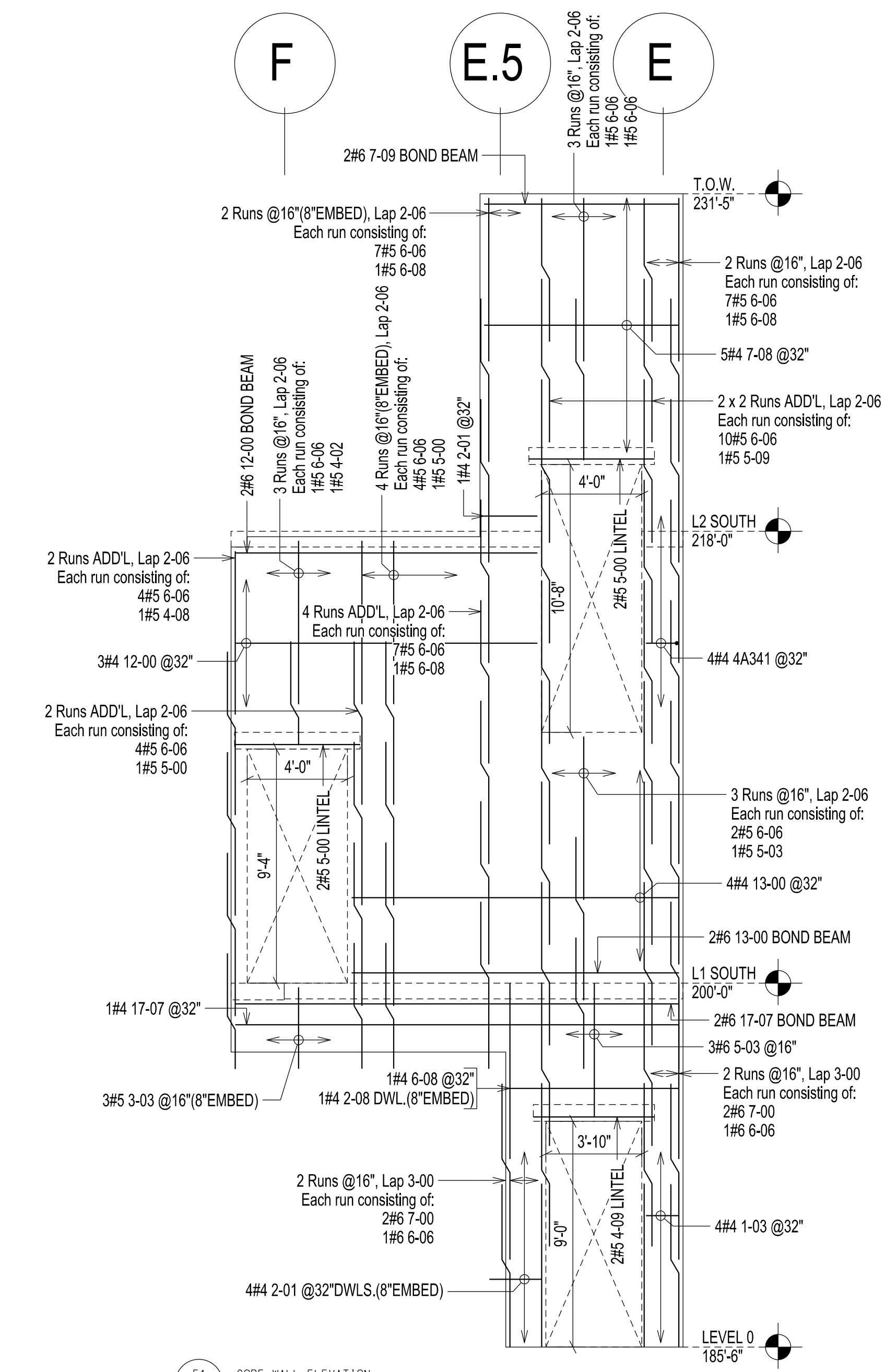
SI	ZE	EP	BAR MARK	V	BND TYP	CD	A	B	C	D	E	F/R	G	H	J	K	O
6			6A319		2		3-10	3-10									
6			6A340		2		1-03	3-10									
6			6A342		2		0-033	3-10									
4			4A280		2		2-00	2-00									
4			4A341		2		2-00	1-03									
3			3A339		T1		0-04	0-09	1-01	0-09	1-01		0-04				



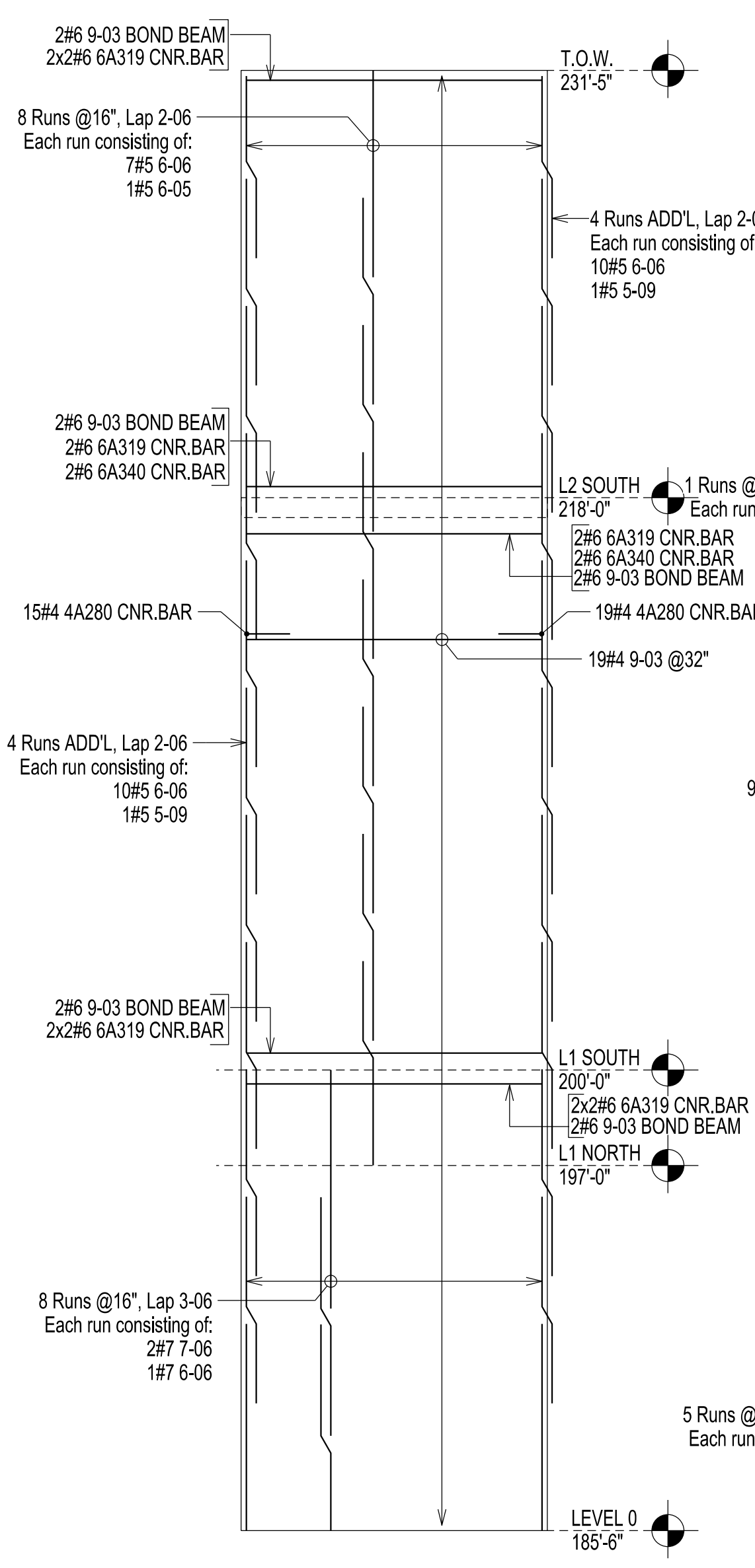
E1 CORE WALL ELEVATION  
R113



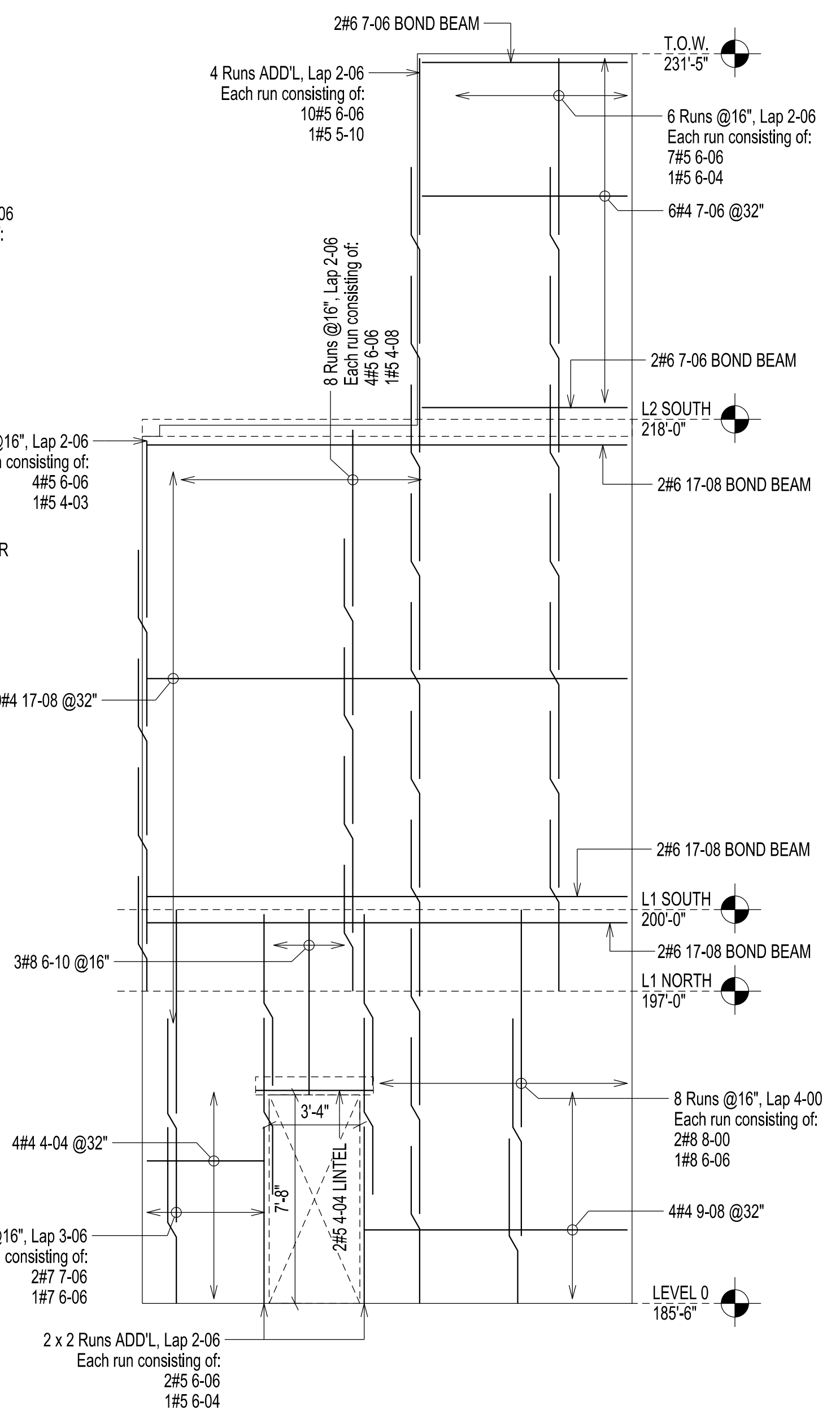
E2 CORE WALL ELEVATION  
R113



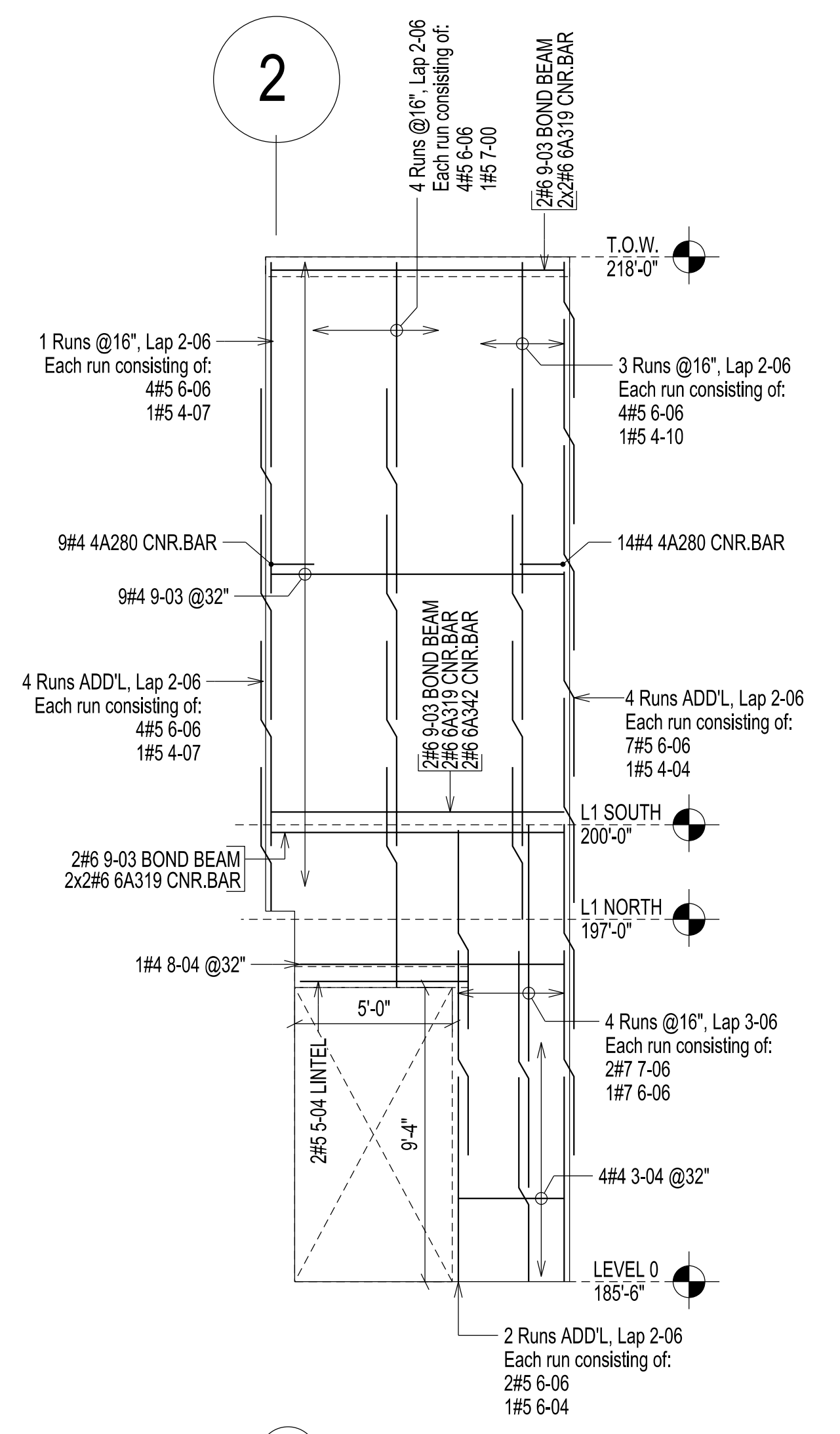
E1 CORE WALL ELEVATION  
R113



E3 CORE WALL ELEVATION  
R113



E4 CORE WALL ELEVATION  
R113



E5 CORE WALL ELEVATION  
R113

